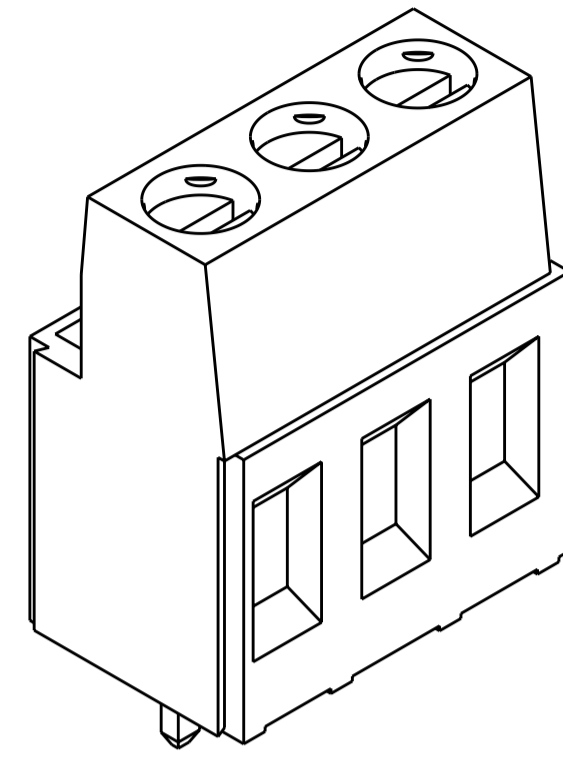
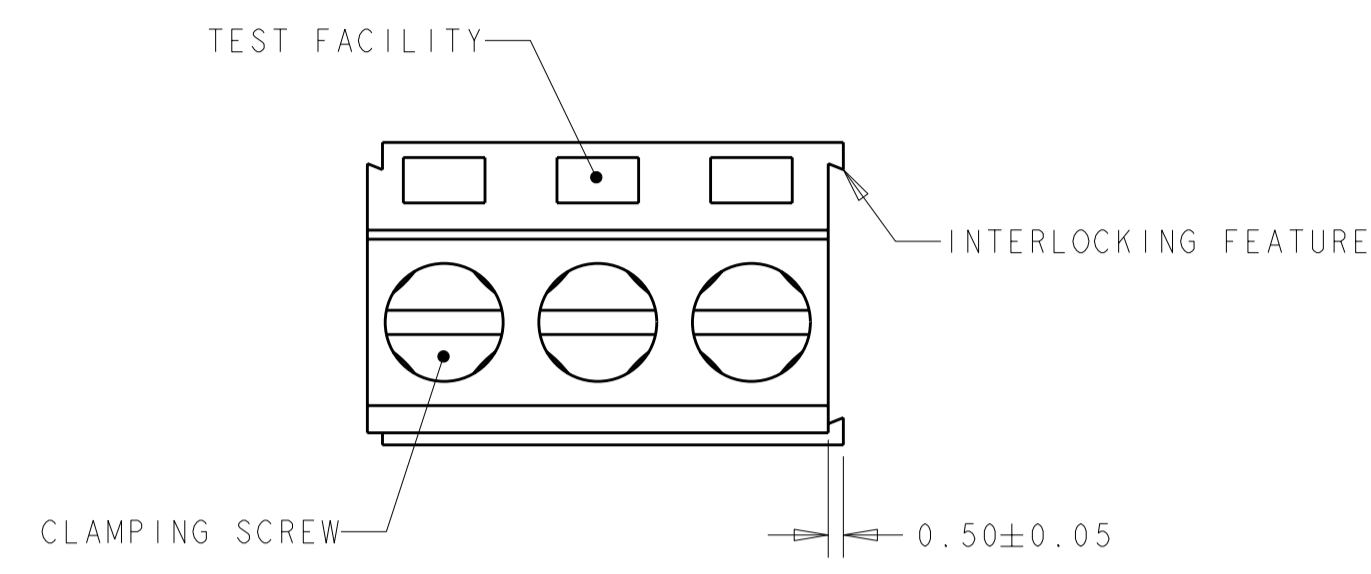
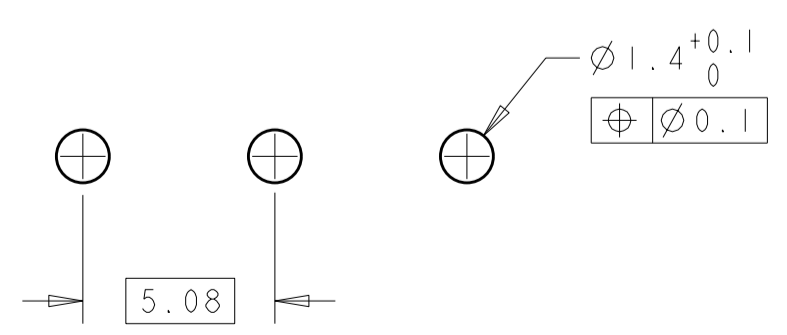
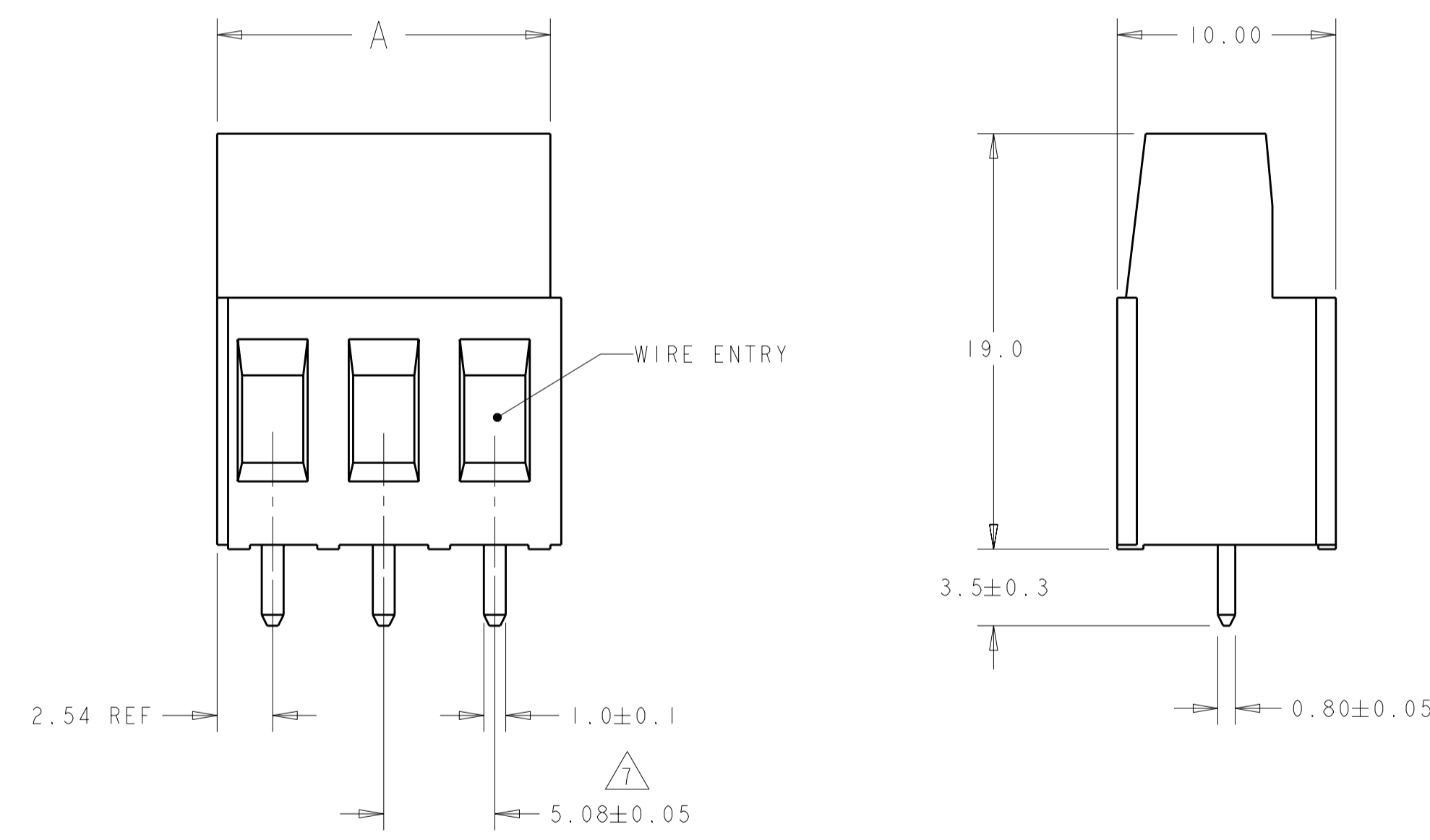


THIS DRAWING IS UNPUBLISHED. RELEASED FOR PUBLICATION 20
 © COPYRIGHT 20 ALL RIGHTS RESERVED.

LOC	DIST	REVISIONS			
P	LTR	DESCRIPTION	DATE	DWN	APVD
FT	0				
		REVISED PER ECO-11-005294	06APR2011	RK	HMR



282857-3 AS SHOWN



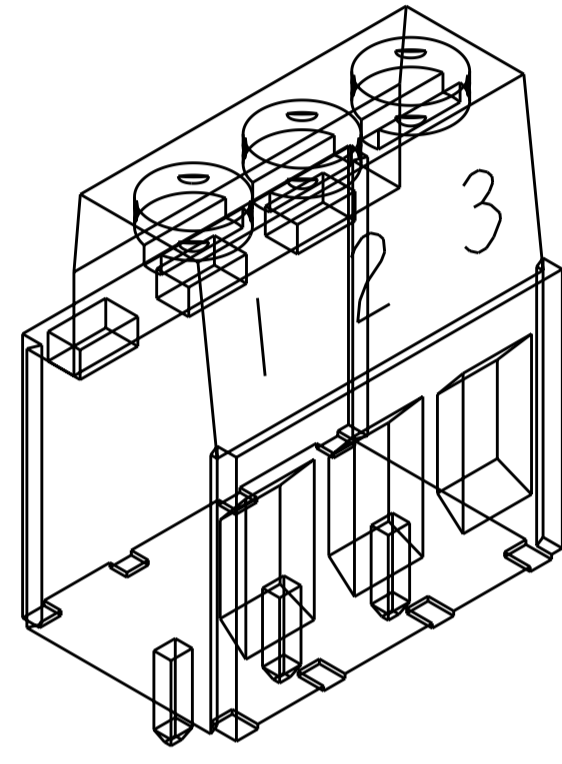
RECOMMENDED PC BOARD LAYOUT
SCALE 5:1

SEE DETAIL L	15.24	3	2-282857-6
-	127.00	25	2-282857-5
-	121.92	24	2-282857-4
-	116.84	23	2-282857-3
-	111.76	22	2-282857-2
-	106.68	21	2-282857-1
-	101.60	20	2-282857-0
-	96.52	19	1-282857-9
-	91.44	18	1-282857-8
-	86.36	17	1-282857-7
-	81.28	16	1-282857-6
-	76.20	15	1-282857-5
-	71.12	14	1-282857-4
-	66.04	13	1-282857-3
-	60.96	12	1-282857-2
-	55.88	11	1-282857-1
-	50.80	10	1-282857-0
-	45.72	9	282857-9
-	40.64	8	282857-8
-	35.56	7	282857-7
-	30.48	6	282857-6
-	25.40	5	282857-5
-	20.32	4	282857-4
-	15.24	3	282857-3
-	10.16	2	282857-2
MARKING	A	POSN	PART NUMBER

THIS DRAWING IS A CONTROLLED DOCUMENT.		DWN S. WELDON 24SEP2003	TE Connectivity	
DIMENSIONS: mm		CHK C. RICHARD 24SEP2003		
TOLERANCES UNLESS OTHERWISE SPECIFIED:		APVD C. RICHARD 24SEP2003		
0 PLC ±0 1 PLC ±.2 2 PLC ±.25 3 PLC ±0 4 PLC ±0 ANGLES ±2° FINISH		PRODUCT SPEC - APPLICATION SPEC - WEIGHT -		
MATERIAL		NAME		RESTRICTED TO
		TERMINAL BLOCK, PCB MOUNT, SIDE WIRE ENTRY, STACKING W/INTERLOCK, 5.08mm PITCH		-
		SIZE	CAGE CODE	DRAWING NO
		A2	00779	C-282857
CUSTOMER DRAWING		SCALE	SHEET	REV
		4:1	1 OF 2	F1

THIS DRAWING IS UNPUBLISHED. RELEASED FOR PUBLICATION 20
 © COPYRIGHT 20 ALL RIGHTS RESERVED.

LOC	DIST	REVISIONS			
P	LTR	DESCRIPTION	DATE	DWN	APVD
FT	0	-	SEE SHEET 1	-	-



8 9
 DETAIL L

- 1 MATERIALS AND FINISH:
 HOUSING: PA 6-6, UL 94-V0, COLOR:GREEN.
 CLAMP: BRASS, NICKEL PLATED.
 TERMINAL: BRASS, TIN PLATED.
 CLAMPING SCREW: M3, BRASS, NICKEL PLATED.
- 2. SUITABLE FOR 1,6-2,4mm. PCB THICKNESS.
- 3. END-TO-END STACKABLE W/INTERLOCK WITHOUT LOSS OF CENTERLINE SPACING.
- 4. WIRE SIZE RANGE
 SOLID WIRE: 0.03-4mm² (11 AWG)
 STRANDED WIRE: 0.03-2.5mm² (13 AWG)
- 5. RECOGNIZED UNDER THE COMPONENT PROGRAM OF UNDERWRITERS LABORATORIES INC. FILE No E60677.
- 6. IMQ CERTIFICATE WITH SURVEILLANCE IN CONFORMITY WITH IEC 998-1/998-2-1.
- 7 NOT CUMULATIVE TOLERANCE.
- 8 NUMERICAL SEQUENCE: FROM LEFT TO RIGHT, WIRE ENTRY SIDE.
- 9 INK MARKING: WHITE COLOR.

THIS DRAWING IS A CONTROLLED DOCUMENT.		DWN S. WELDON	24SEP2003	STE TE Connectivity	
DIMENSIONS: mm		CHK C. RICHARD	24SEP2003		
TOLERANCES UNLESS OTHERWISE SPECIFIED:		APVD C. RICHARD	24SEP2003	NAME TERMINAL BLOCK, PCB MOUNT, SIDE WIRE ENTRY, STACKING W/INTERLOCK, 5.08mm PITCH	
0 PLC ±0 1 PLC ±.2 2 PLC ±.25 3 PLC ±0 4 PLC ±0		PRODUCT SPEC -		SIZE A200779	
ANGLES ±2° FINISH		APPLICATION SPEC -		CAGE CODE C-282857	
MATERIAL -		WEIGHT -		DRAWING NO -	
CUSTOMER DRAWING				SCALE 4:1	SHEET 2 OF 2